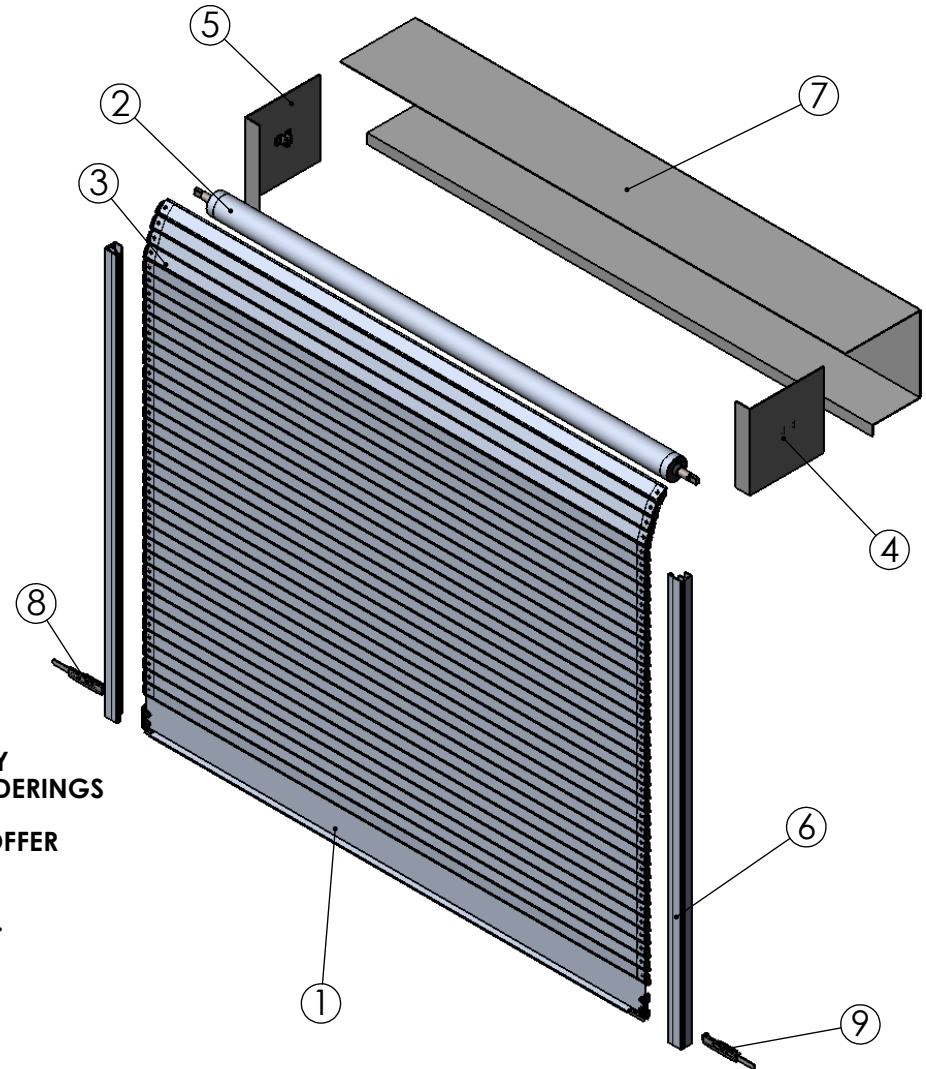


ITEM NO.	PART NUMBER	DESCRIPTION
1	ALEXTR-1436	HEAVY DUTY BOTTOM RAIL
2	CBASSM-1000	3" COUNTERBALANCE ASSEMBLY
3	ALEXTR-1415	2EA NATIONAL SLAT
4	CBHARD-1403	HEAD PLATE LH Assem
5	CBHARD-1400	HEAD PLATE RH Assem
6	ALEXTR-1486	2EA MOUNTING ANGLE
7	HOODCOV-1000	CUSTOM HOOD COVER
8	LOCKIT-1061	RH SLIDE BOLT LOCK
9	LOCKIT-1060	LH SLIDE BOLT LOCK



NOTES:
SUITABLE FOR SMALLER SHOP FRONT, COUNTERS, BARS, AND SMALLER SERVICE HATCHES OR OPENINGS.
THE 2 EA MODEL OFFERS A SOLID OR TRANSPARENT PROFILE OPTIONS. LEXAN INSERTS OFFER TRANSPARENT WINDOWS FOR ADDED SECURITY OR CAN BE LEFT OUT FOR VENTILATION PURPOSES. (SEE SLOTTED RENDERINGS FOR DETAILS)
LOCKING SYSTEM AT WAIST HEIGHT OR IN THE BOTTOM RAIL OR BOTH TO OFFER HEIGHTENED SECURITY.
AVAILABLE IN ANODIZED OR POWDER COATED FINISHES.
AVAILABLE WITH HAND OPERATED OR ELECTRICAL TUBE MOTOR OPERATED.

OPENING HEIGHT	HEAD ROOM REQUIRED	HEAD PLATE RQUIRED
0"-40"	13" MIN	10"x10"
40"-90"	15" MIN	12" x12"
DOOR MAX. 50 SQ. FT IN SIZE. HAND OPERATED &POWER ASSISTED		

CONFIDENTIAL NOTE: This drawing and its specifications and engineering information disclosed hereon are the property of DIAMOND ROLL-UP DOOR, INC/ DOVER ROLLER SHUTTERS and are not to be disseminated or reproduced without express written consent. The drawing is loaned in confidence and then only for consideration of the material disclosed hereon. In accepting loan of this drawing, the recipient agrees to keep it and the material disclosed hereon in confidence and not to use nor permit their use in any way detrimental to DIAMOND ROLL-UP DOOR, INC / DOVER ROLLER SHUTTERS.



DOVER ROLLER SHUTTERS
 295 COMMERCE WAY
 UPPER SANDUSKY, OH 43351
 PHONE: 419-294-3373 FAX 419-294-3329

DRAWN BY:
 B. COURTNEY

DESCRIPTION:
 2ea EXPLODED DOOR VIEW