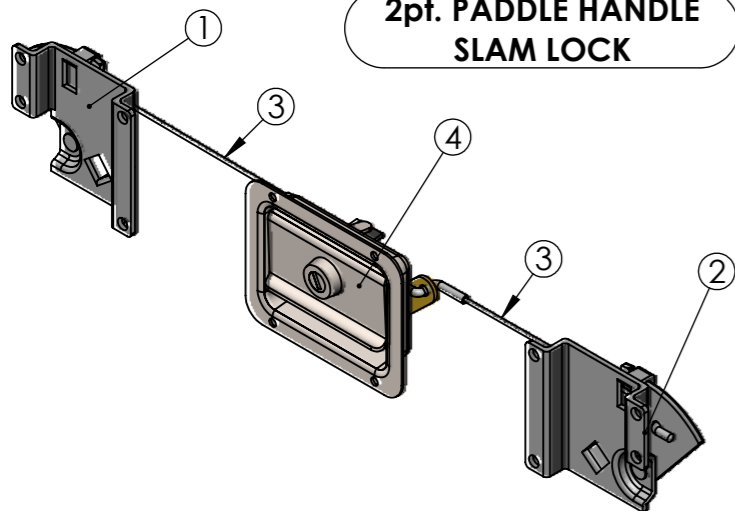


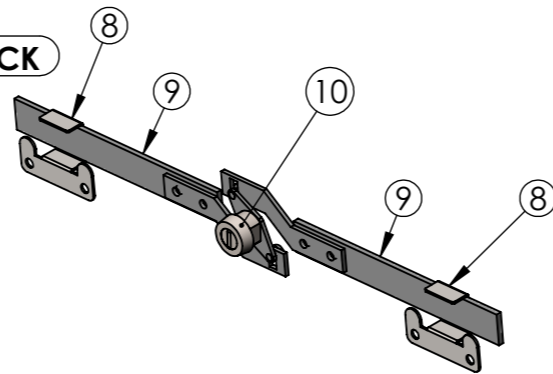
2EB TRUCK LOCK OPTIONS

REFERENCE THE 2EB TRUCK BOTTOM RAIL OPTIONS TO SEE WHICH LOCKING SYSTEM IS RECOMENDED FOR BOTTOM RAIL TYPE.

2pt. PADDLE HANDLE SLAM LOCK

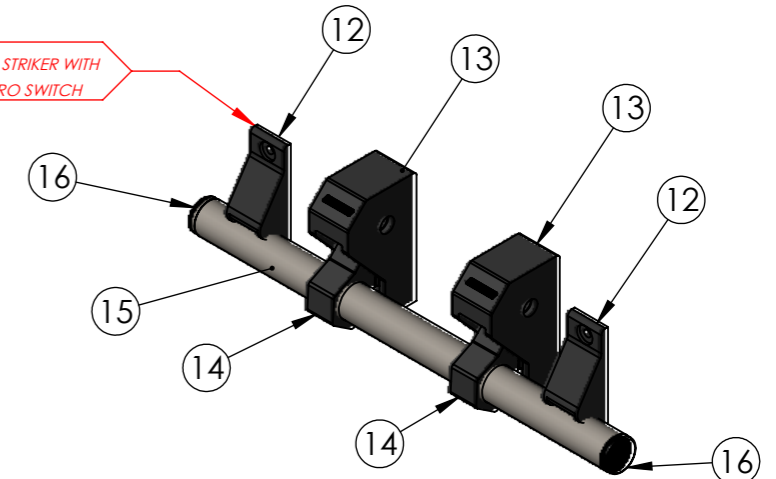


2pt. CH-FLUSH LOCK



DIAMOND BAR LOCK ASSEMBLY

OPTION: 2EB STRIKER WITH OPTIONAL MICRO SWITCH



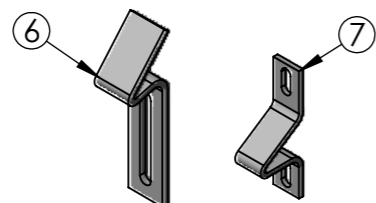
2EB TRUCK 2pt. SLAM LOCK OPTIONS		
ITEM #	PART #	DESCRIPTION
1	LOCKIT-1050	FLIPPER ASSEM. RH
2	LOCKIT-1051	FLIPPER ASSEM. LH
3	CABLES-9002	CABLES w/TURNBUCKLES & Z HOOKS
4	LOCKIT-1043	SS PADDLE HANDLE KEYED/NON-KEYED
5	LOCKIT-1100	DOUBLE HANDLE KEYED/NON-KEYED
6	LOCKIT-1053	2pt. SLAM LOCK CATCH (LARGE)
7	LOCKIT-1052	2pt. SLAM LOCK CATCH (SMALL)

FLIPPERS ARE SPRING LOADED, LOCKS CAN BE NON-KEYED or KEYED

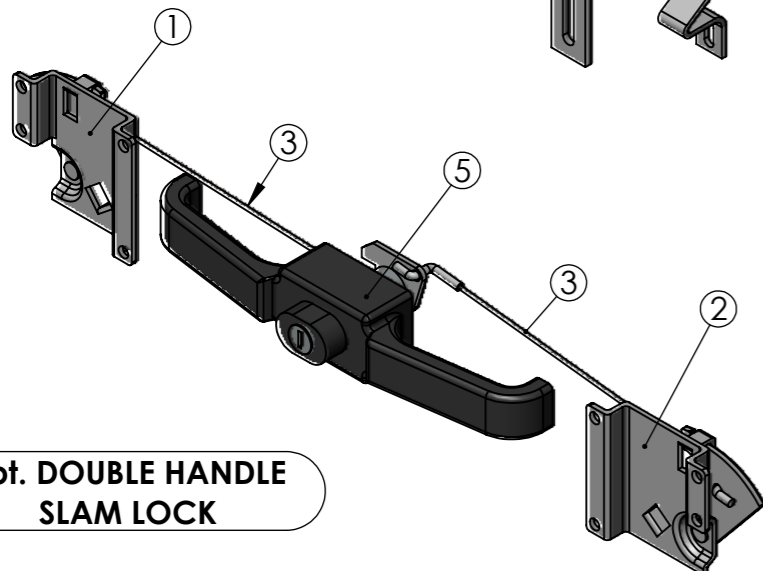
2EB TRUCK 2pt. INSIDE FLUSH LOCK OPTIONS		
ITEM #	PART #	DESCRIPTION
8	LOCKIT-1073	FLAT LOCK BAR SADDLE
9	LOCKIT-1086	LOCK BAR-FLAT 1/8"x3/4"
10	LOCKIT-1074	CH SERIES FLUSH CYLINDER ASSEM.
11	LOCKIT-1067	T-HANDLE LOCKIN/NON-LOCKING

2EB TRUCK BAR LOCK OPTIONS		
ITEM #	PART #	DESCRIPTION
12	NYLONP-1004	2EB BLACK NYLON STRIKER w/FASTENERS
13	NYLON-1005	2EB BAR LOCK COVER HOLDER
14	LOCKIT-1088	2EB BAR LOCK HOLDER/PIVOT
15	LOCKIT-1080	2EB SS BAR LOCK
16	NYLON-1006	2EB BAR END PLUGS
17	30DRS374C	N30 BLACK PIVOT COVER
18	30DRS374B	N30 SS PIVOT ASSEM. BRACKET
19	30DRS375	N30 SS BAR LOCK
20	30DRS387	N30 BAR END PLUGS

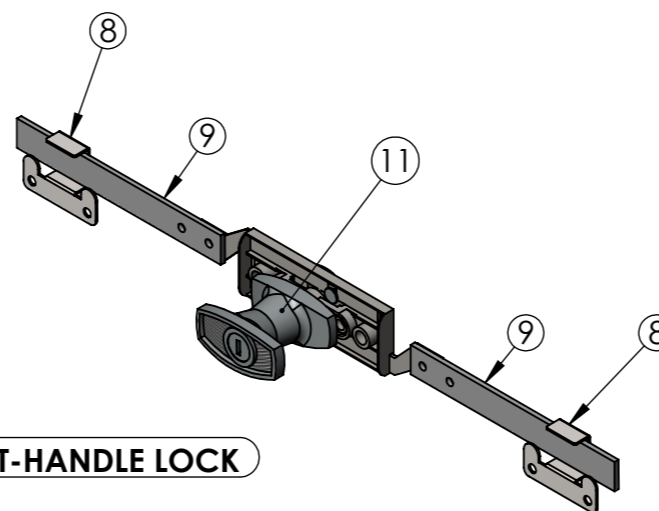
BAR LOCKS CAN ONLY BE USED IN A BETWEEN THE WALL APPLICATION. FLUSH KEY CYLINDER OPTION CAN BE ADDED TO BAR LOCK ASSEMBLY.



2pt. DOUBLE HANDLE SLAM LOCK

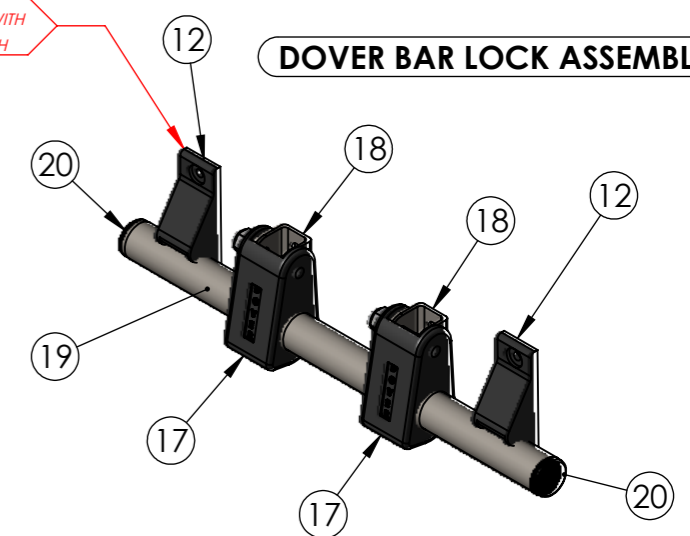


2pt. T-HANDLE LOCK



OPTION: 2EB STRIKER WITH OPTIONAL MICRO SWITCH

DOVER BAR LOCK ASSEMBLY



KEY # OPTIONS

CH-SERIES LOCK KEY NUMBERS: CH501-CH510, CH545, CH1250
 J-SERIES LOCK KEY NUMBERS: J201, J210, J223, J236