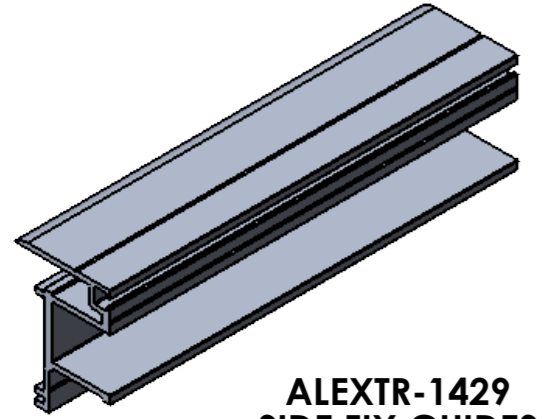
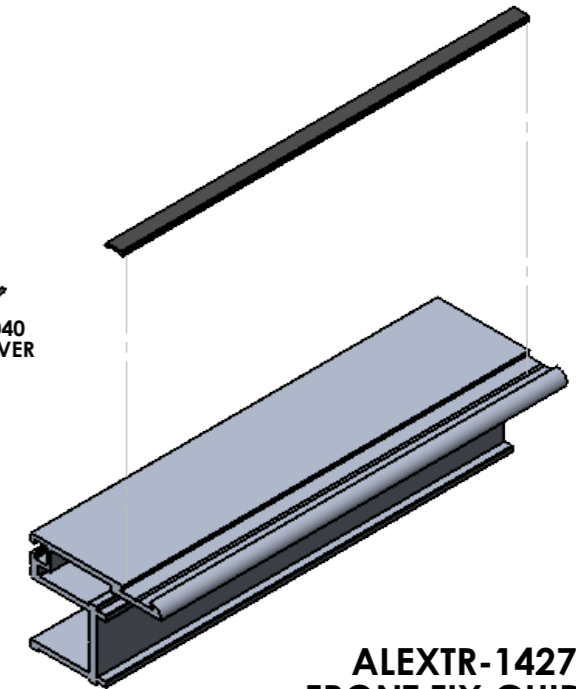


2EB TRUCK BETWEEN THE JAMB GUIDE OPTIONS

SEAL OPTIONS:
INTERCHANGEABLE BETWEEN BOTH GUIDES



**ALEXTR-1429
SIDE FIX GUIDES**



**ALEXTR-1427
FRONT FIX GUIDES**

2EB BETWEEN THE WALL SPECIFICATIONS

- BETWEEN THE WALL MOUNTING APPLICATION.
- EXTRUDED ALUMINUM
- ALLOY: 6063-T5
- AVAILABLE FINISHES:
 - CLEAR ANODIZED FINISH
 - POWDER COATED TO MATCH

