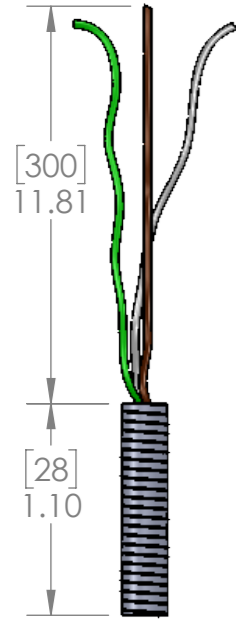


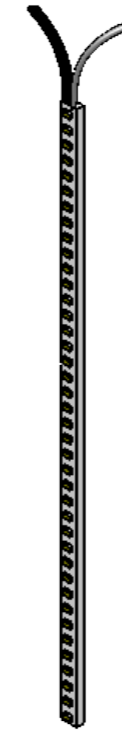
PROXIMITY SWITCH SPECIFICATIONS



CONTACT FORM/STYLE	CHANGE OVER
SWITCHING CAPACITY (RESISTIVE)	5W/VA MAX.
SWITCHING VOLTAGE	100 VAC MAX.
SWITCHING CURRENT	0.5A. MAX
CARRY CURRENT	1.0A. MAX.
BREAKDOWN VOLTAGE	200 VDC MIN.
CONTACT RESISTANCE	150 mOhms MAX.
SWITCHING DISTANCE	3 mm MIN.
OPERATING TEMP. RANGE	-20°C +85°C
STORAGE TEMP.	-25°C +90°C
CASE MATERIAL	BRASS-NICKEL PLATED
CABLE	3x ROUND 0.22mm PVC INSULATED brown/white/green

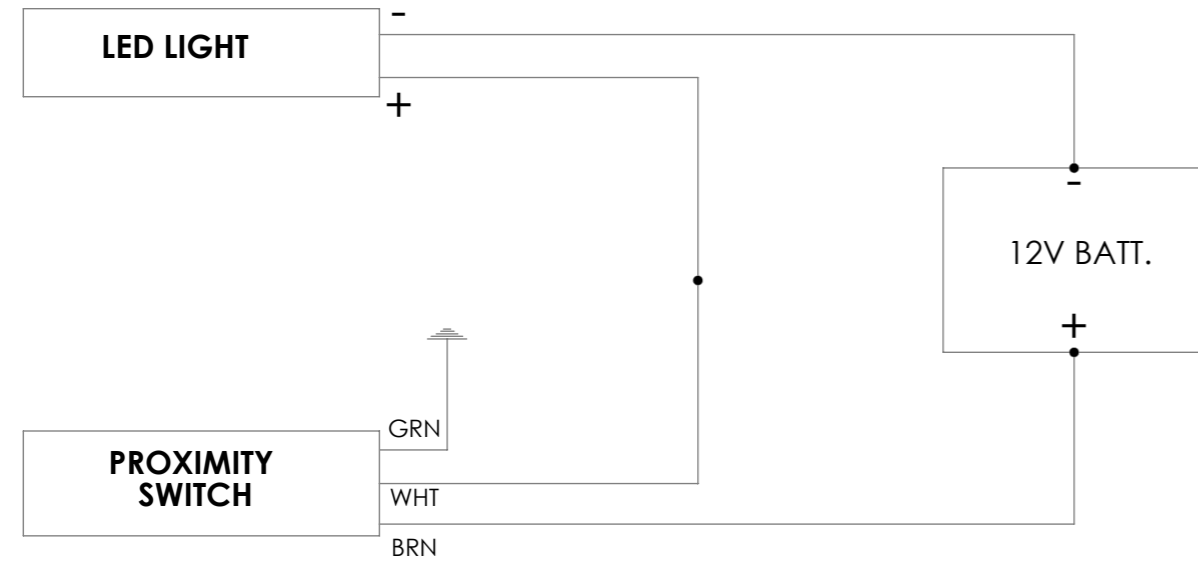
APPLICATIONS INCLUDE:
POSITION & LIMIT SENSING/SECURITY SYSTEM SWITCH/DOOR SWITCH

LED SPECIFICATIONS

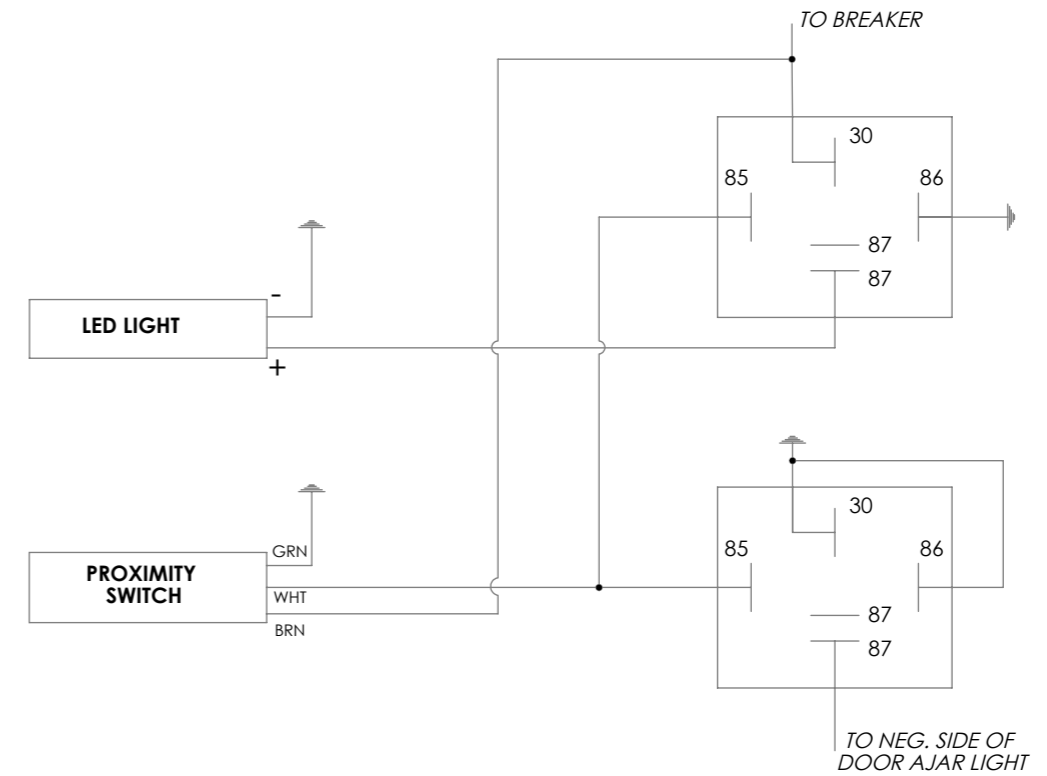


LED SOURCE	SMD 5050 EPISTAR CHIP
COLOR	COOL WHITE
LED QTY	60 LEDS per 100cm
LIFESPAN	50,000-80,000 HOURS
ILLUMINATION ANGLE	120°
VOLTAGE	12V
SOLID STATE, HIGH SHOCK/VIBRATION-RESISTANT	
NO RF INTERFERENCE	
LOW POWER CONSUMPTION & HIGH INTENSITY	
MAINTENANCE FREE, EASY INSTALLATION	
LESS 1% ATTENUATION AFTER 3,000 HOURS	

LED LIGHTS ARE ORDERED IN 20" & 40" LENGTHS



LED LIGHT DIAGRAM WITH OUT RELAYS



LED LIGHT DIAGRAM WITH RELAYS